



# Note for Completion of the Product Forms

The Product Forms are essential for allotting display spaces and for the production of promotional materials for the show. Please be sure to fill out these forms and submit them with your Exhibitor Application.

## 1. "Display Item Check Sheet" FORM-1: Please check all products to be exhibited

1. You can list up to three products as "main display items" and you should give them a priority ranking of 1 through 3.
2. Please write down the type of products, if any, not on the list.

\* Dangerous items such as paint, oils and aerosols must be reported to the Fire Dept. Therefore, be sure to state that you are displaying such items.

## 2. "Display Item Report" FORM-2: Forms describing the following products are necessary

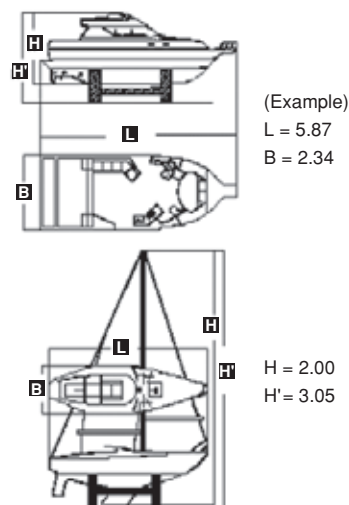
- CRAFTS
- ENGINES
- UTILITY VEHICLES (including camper and mobile home)

1. Please fill A to S code in the blank referring to the following "CODE LIST"
2. To fill in "manufacturer" and "Product Name (model) " columns, please write the official name in English.

### CODE LIST

CODE	ARTICLES	TYPE OF CRAFTS	
A	Motor boat	BOAT	CRAFTS
B	Inflatable		
C	Jet Boat		
D	Row Boat		
E	Other Boat		
F	Cruiser	YACHT	
G	Dinghy		
H	Standing	PERSONAL WATER-CRAFT	
J	Sitting		
K	Outboard	MARINE ENGINES	
L	Inboard Engine		
M	In-Out Engine		
N	Electric Engine		
P	RV	UTILITY VEHICLES	
Q	Sedan		
R	Camper		
S	Mobile Home		

### CHART (measurement)





# “Display Item Check Sheet” FORM-1

Please indicate your priority order for your three main display items.  
Put a circle or the product name in the appropriate blocks in the “Details” column.

Date:

Your company's name:

Your name:

Tel.

Item	Priority	Details
Boats		Boat
		Sailboat
		PWC
Engines		Outboard motor
		Inboard motor
		Inboard outboard
		Electric motor
Leisure Vehicle		Recreational Vehicle (RV)
		Automobile
		Camping car
		Trailer house

Information about the items above must be fill out on the separate “Display Item Report”

Boats		Sailboat
		Surfboard
		Wakeboard
		Water skis
		Body board
		Other ( )
Boat equipment		Anchor
		Chain
		Windlass
		Rope
		Roller
		Fender
		Propeller
		Other ( )
Interior items		Carpet
		Antenna
		Water purifier
		Marine heater
		Audio
		Generator
		Pump
		Toilet
Exterior items		Table
		Other ( )
		Seat
		Horn
		Wipers
		Mirrors
		Navigation lights
		Searchlight
		Rudder
Steering		Hardware
		Other ( )
		Hydraulic steering
		Auto pilot
		Steering mechanism
	Other ( )	

Item	Priority	Details
Safety items		Lifejacket
		Float
		Other ( )
Instruments		GPS items
		Fishfinder
		Radar
		Weather Fax
		Wireless radio
		Underwater camera
		Binoculars
		Other ( )
Decoration		Models
		Paintings
		Clocks
		Tableware
		Other ( )
Maintenance		Oil
		Paint
		Tools
		Wax
		Batteries
		Sprays
Accessories		Other ( )
		Sunglasses
		Pendants
		Key holders
		Watches
Apparel		Other ( )
		Shirts
		Bathing suits
		Hats
		Wet suits
		Shoes
		Other ( )
Solicitations		Marine club membership
		Marina membership
		Rental club membership
		License course
Others		Other ( )
		Fishing gear
		Diving gear
		Camping gear
		Trailer
		Books
		Sea maps
		Others (Fill in contents below)



# “Display Item Report” FORM-2

Date:

Your company's name:

Your name:

Tel.

## CRAFTS (CODE A to J)

Unit: m (record to two digits below the decimal point) (see example)

Item (use code letters a-j below)	Manufacturer name	Country of manufacture	Product name (model name)	Price Unit: ¥1,000	Overall length (L)	Overall width (B)	Overall Height (H) (including mast)	Overall Height (H') (for hull)

## MARINE ENGINE (CODE K to N)

Unit: m (record to two digits below the decimal point) (see example)

Item (use code letters a-j below)	Manufacturer name	Country of manufacture	Product name (model name)	Price Unit: ¥1,000	Overall length (L)	Overall width (B)	Overall Height (H) (including mast)	Overall Height (H') (for hull)

## UTILITY VEHICLES (CODE P to S)

Unit: m (record to two digits below the decimal point) (see example)

Item (use code letters a-j below)	Manufacturer name	Country of manufacture	Product name (model name)	Price Unit: ¥1,000	Overall length (L)	Overall width (B)	Overall Height (H) (including mast)	Overall Height (H') (for hull)



# Exhibitor Application Form

Application deadline: Nov. 10 (Tue.), 2009, 17:00 hours

## 1. EXHIBITOR

<b>Company</b>	
<b>Address</b>	
<b>URL</b>	http://
<b>Person in charge</b>	POSITION NAME (please print) Mr. Ms.
TEL:	FAX: E-mail address:

## 2. REPRESENTATIVE IN JAPAN (Embassy, official overseas organization or representative in Japan)

<b>Organization</b>	
<b>Address</b>	
<b>Person in charge</b>	POSITION NAME (please print) Mr. MS
TEL:	FAX: E-mail address:

## 3. EXHIBITION AREA REQUIRED

Number of Space Units	Number of Units : Type ( ) (For types 4 and 12, choice (A) or (B) type. See Booth Units Layout)
<b>Total Space Fee</b>	¥

## 4. INDEX OF PRODUCTS

All products to be exhibited should be described in accordance with the application form-1.

## 5. PRODUCTS TO BE EXHIBITED

The detail of product, type and dimension, should be described in accordance with the application form-2.

## 6. PAYMENT REMITTANCE

The application fee is 50% of the total amount payable including tax. This sum should be transfer to the account below and a copy of the bank transfer slip should be attached over this space.

**Bank name: Mizuho Bank, Ltd. Ginza-Chuo Branch, Tokyo (Swift Code No. MHBKJPJT)**  
**Account name: Japan Boating Industry Association Boat Show Yokohama**  
**Account No. : General account 1138202**

\* The deadline for the balance of the space fee and all other costs is December 25 (Friday), 2009.

I hereby explicitly accept the terms of Japan International Boat Show 2010 in all their respective parts.

NAME:

SIGNATURE:

DATE: